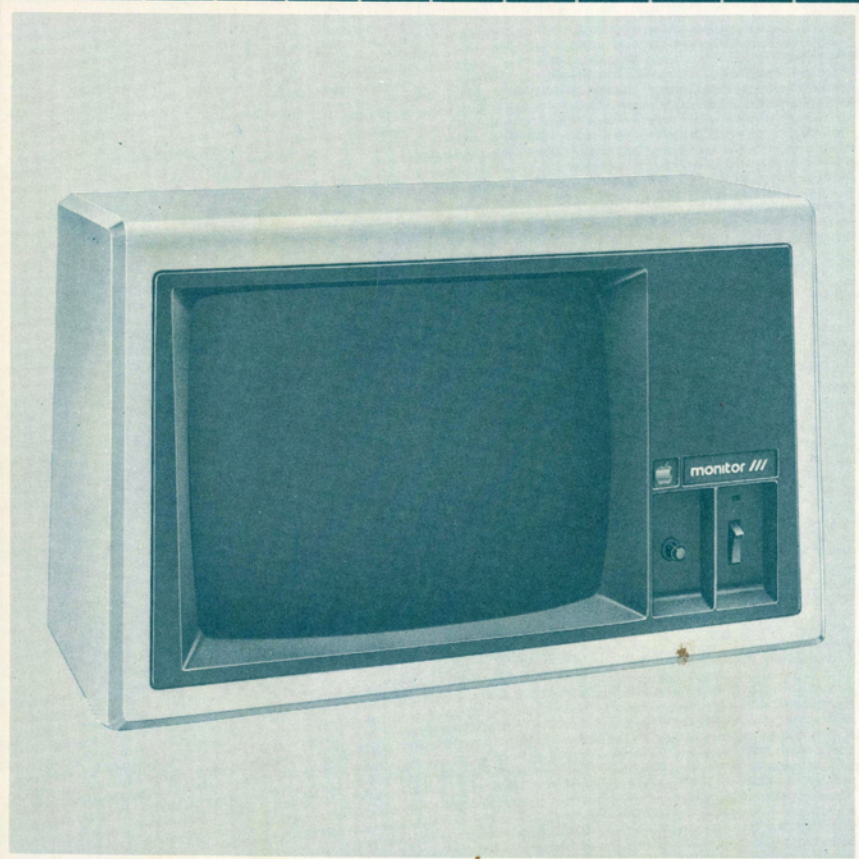


Apple III



Monitor III
Owner's Manual



NOTICE

Apple Computer Inc. reserves the right to make improvements in the product described in this manual at any time and without notice.

DISCLAIMER OF ALL WARRANTIES AND LIABILITY

APPLE COMPUTER INC. MAKES NO WARRANTIES, EITHER EXPRESS OR IMPLIED, WITH RESPECT TO THIS MANUAL OR WITH RESPECT TO THE SOFTWARE DESCRIBED IN THIS MANUAL, ITS QUALITY, PERFORMANCE, MERCHANTABILITY, OR FITNESS FOR ANY PARTICULAR PURPOSE. APPLE COMPUTER INC. SOFTWARE IS SOLD OR LICENSED "AS IS." THE ENTIRE RISK AS TO ITS QUALITY AND PERFORMANCE IS WITH THE BUYER. SHOULD THE PROGRAMS PROVE DEFECTIVE FOLLOWING THEIR PURCHASE, THE BUYER (AND NOT APPLE COMPUTER INC., ITS DISTRIBUTOR, OR ITS RETAILER) ASSUMES THE ENTIRE COST OF ALL NECESSARY SERVICING, REPAIR, OR CORRECTION AND ANY INCIDENTAL OR CONSEQUENTIAL DAMAGES. IN NO EVENT WILL APPLE COMPUTER INC. BE LIABLE FOR DIRECT, INDIRECT, INCIDENTAL, OR CONSEQUENTIAL DAMAGES RESULTING FROM ANY DEFECT IN THE SOFTWARE, EVEN IF APPLE COMPUTER INC. HAS BEEN ADVISED OF THE POSSIBILITY OF SUCH DAMAGES. SOME STATES DO NOT ALLOW THE EXCLUSION OR LIMITATION OF IMPLIED WARRANTIES OR LIABILITY FOR INCIDENTAL OR CONSEQUENTIAL DAMAGES, SO THE ABOVE LIMITATION OR EXCLUSION MAY NOT APPLY TO YOU.

This manual is copyrighted. All rights are reserved. This document may not, in whole or part, be copied, photocopied, reproduced, translated or reduced to any electronic medium or machine readable form without prior consent, in writing, from Apple Computer Inc.

© 1981 by APPLE COMPUTER INC.
10260 Bandle Drive
Cupertino, California 95014
(408) 996-1010

The word Apple and the Apple Logo are registered trademarks of APPLE COMPUTER INC.

APPLE Product #A3L0020
(030-0193-A)

Apple III

Monitor III
Owner's Manual

Contents

- 1 Safety Tips
- 3 Identification and Operation of Controls
- 4 Glare Filter Care and Cleaning Instructions
- 5 If There Are Problems
- 6 Specifications

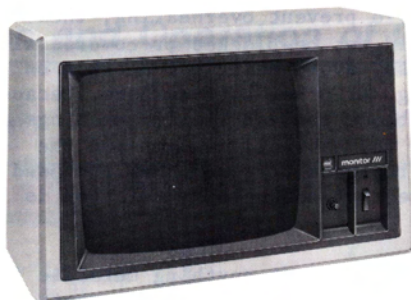
IMPORTANT

This equipment generates and uses radio frequency energy and if not installed and used properly, that is, in strict accordance with the manufacturer's instructions, may cause interference to radio and television reception. It has been type tested and found to comply with the limits for a Class B computing device in accordance with the specifications in Subpart J of Part 15 of FCC Rules, which are designed to provide reasonable protection against such interference in a residential installation. However, there is no guarantee that interference will not occur in a particular installation. If this equipment does cause interference to radio or television reception, which can be determined by turning the equipment off and on, the user is encouraged to try to correct the interference by one or more of the following measures:

- reorient the receiving antenna
- relocate the computer with respect to the receiver
- move the computer away from the receiver
- plug the computer into a different outlet so that computer and receiver are on different branch circuits.

If necessary, the user should consult the dealer or an experienced radio/television technician for additional suggestions. The user may find the following booklet prepared by the Federal Communications Commission helpful:

"How to Identify and Resolve Radio-TV Interference Problems". This booklet is available from the US Government Printing Office, Washington, DC 20402, Stock No. 004-000-00345-4.



You have just purchased a state-of-the-art Monitor III, specially designed for use with your Apple III computer. In addition to its professional styling, this Monitor has a number of special features, including 1,920 character display capability, sharp focus over the entire screen, and less geometrical distortion than that found with other monitors. It comes wired for either 117 VAC 50/60 Hz or 230 VAC 50/60 Hz operation, which means it can be used in the United States, Europe, and most other countries.

In the interest of safety, read this manual carefully before using your new Monitor III. Keep the warranty and the schematic circuit diagram with this manual so they are easy to find if you need them. All you need for connection to the Apple III is a video cable with a phono plug on each end. (See Video In on page 3.)

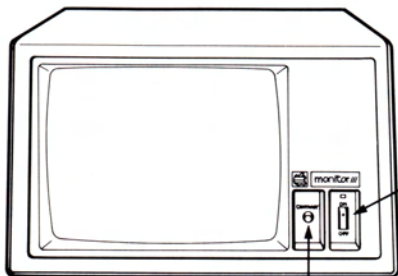
Safety Tips

1. Make sure the voltage designation on your Monitor corresponds to the local electrical supply before connecting the AC power cord to an outlet.
2. To avoid electric shock, never touch the inside of the Monitor. Only a qualified technician should open the Monitor's case.
3. Never use your Monitor if the power cord has been damaged. Do not allow anything to rest on the power cord, and keep the cord away from where people will walk on it.
4. Be sure to hold the plug, not the cord, when disconnecting the Monitor from an electric socket.

5. Openings in the Monitor cabinet are provided for ventilation. To prevent overheating, these openings should not be blocked or covered with anything. Also, avoid using the Monitor on a bed, sofa, rug, or other soft surface, because doing so may block the ventilation openings in the bottom of the cabinet. If you put the Monitor in a bookcase or some other enclosed space, be sure that adequate ventilation is provided.
6. Be careful not to insert anything metallic into the Monitor openings. Doing so may create a danger of electric shock.
7. Put your Monitor in a location with low humidity and a minimum of dust. Avoid places like damp basements or dusty hallways.
8. Do not expose the Monitor to rain or use it near water (in kitchens, next to swimming pools, etc.). If the Monitor accidentally gets wet, unplug it and contact an Apple dealer immediately. You can clean the Monitor with a damp cloth when necessary, but be sure to unplug the Monitor first.
9. Place the Monitor on a solid surface, and treat it kindly. The screen is made of glass and can be damaged if dropped or hit sharply. Also, the textured glare filter that rests over the screen is made of nylon filaments and can be torn if not treated with care. Read the section on "Glare Filter Care and Cleaning" for complete instructions.
10. If your Monitor does not operate normally--in particular if there are any unusual sounds or smells coming from it--immediately unplug it and contact an Apple dealer.
11. High temperatures can cause trouble. Try not to use your Monitor in direct sunlight, and keep it away from heaters, stoves, fireplaces and other sources of heat.
12. Unplug the Monitor when it is going to be left unused for an extended period of time.

Identification and Operation of Controls

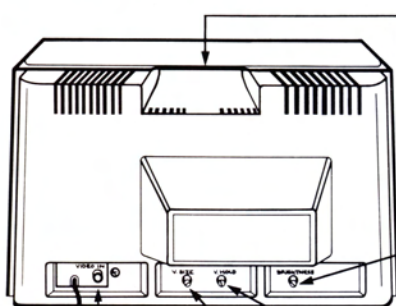
Monitor III (front)



Power Switch
This switch turns the Monitor on and off.

Contrast
The contrast increases as this knob is turned clockwise.

Monitor III (back)



Hand Grip
When using the Hand Grip, be sure to put your hand all the way into the opening before lifting the Monitor.

Brightness
This knob permits adjustment of overall picture brightness. Maximum brightness is reached as the knob is turned clockwise.

Vertical Hold
If the picture rolls up or down, turn this knob clockwise or counterclockwise until the picture stabilizes.

Vertical Size
This knob adjusts the height of the picture, and thus of the characters displayed.

AC Power Cord

Video In
Plug one end of a video cable into this socket, and the other end into the Apple III B/W Video Output socket.

Specifications

Power Input:	117 VAC \pm 10%, 50/60 Hz (A3M0006/A3M0039). 230 VAC \pm 15%, 50Hz (A3M0024). 27 W typical, 45 W maximum. Internal fuse protection.
Video Input:	1.0 V peak to peak \pm .1 V composite. Sync negative, RS-170 compatible. 75 ohm internal termination. Cabinet-mounted RCA phono jack connection.
Video Amplifier:	Bandwidth 50 Hz to 15 MHz \pm 3 dB. 16 discernible shades of grey.
Cathode Ray Tube:	12" (30.5 cm) diagonal. 78° horizontal deflection. 61° vertical deflection. 90° diagonal deflection.
Vertical Deflection:	47 Hz to 63 Hz, free running. Pull-in range plus 0 minus 8 Hz. Retrace time 1.0 μ s maximum. Linearity within 2%.
Horizontal Deflection:	15,200 Hz to 16,300 Hz, free running. Pull-in range \pm 400 Hz. Retrace time 12.0 μ s maximum. Linearity within 2%.
Display Performance:	Resolution: 700 TV lines center, 500 TV lines corners. Max brightness 40 fL (A3M0006), 20 fL (A3M0039/A3M0024) at rated input. Interlace 90% or better. Apple III format display zone: Width: 8 7/16" (21.4 cm) Height: 6 5/16" (16 cm). 80 characters x 24 lines.
Mechanical:	External Dimensions: Width: 17 3/16" (43.7 cm) Height: 10 5/8" (27 cm) Depth: 12 1/2" (31.8 cm). Weight: 16.5 lbs. (7.5 kg).



10260 Bandley Drive
Cupertino, California 95014
(408) 996-1010

4632753

030-0193-A

